



TAI-SAW TECHNOLOGY CO., LTD.

No. 3, Industrial 2nd Rd., Ping-Chen Industrial District,
Taoyuan, 324, Taiwan, R.O.C.

TEL: 886-3-4690038 FAX: 886-3-4697532

E-mail: tstsales@mail.taisaw.com Web: www.taisaw.com

Product Specifications Approval Sheet

Product Name: SAW Resonator 868.95 MHz SMD 3X3 mm

TST Parts No.: TC0322A

Customer Parts No.: _____

Customer signature required
Company: _____
Division: _____
Approved by : _____
Date: _____

Checked by: _____ Hongpu Lin *Hongpu Lin*

Approval by: _____ Andy Yu *Andy Yu*

Date: _____ 2019/04/25

1. Customer signed back is required before TST can proceed with sample build and receive orders.
2. Orders received without customer signed back will be regarded as agreement on the specifications.
3. Any specifications changes must be approved upon by both parties and a new revision of specifications shall be released to reflect the changes



TAI-SAW TECHNOLOGY CO., LTD.

No. 3, Industrial 2nd Rd., Ping-Chen Industrial District,
Taoyuan, 324, Taiwan, R.O.C.

TEL: 886-3-4690038 FAX: 886-3-4697532

E-mail: tstsales@mail.taisaw.com Web: www.taisaw.com

SAW Resonator 868.95 MHz

MODEL NO.: TC0322A

REV. NO.:2.0

A. FEATURES:

- 1-Port Resonator.

B. MAXIMUM RATING:

1. Input Power Level: 0 dBm
2. DC voltage: 3 V
3. Operating Temperature: -40°C to +85°C
4. Storage Temperature: -40°C to +85°C
5. Moisture Sensitive Level: Level 1 (MSL1)

C. ELECTRICAL CHARACTERISTICS:

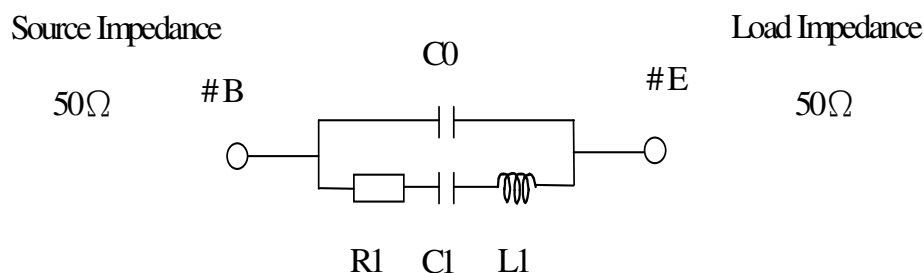
Reference Temperature $T_A=25^\circ\text{C}$

Characteristic	Units	Minimum	Typical	Maximum
Center frequency Fc	MHz	868.85	868.95	869.05
Insertion Loss IL	dB	-	1.25	2.5
Unload quality factor Q_u		-	9800	-
Ageing of fc	ppm/yr	-	-	±10
Motional capacitance C1	fF	-	0.98	-
Motional inductance L1	µH	-	35.93	-
Motional resistance R1	Ohm	-	20	-
Parallel capacitance C₀	pF	-	2.16	-
Frequency Temperature coefficient (C_f)	ppm/c*2	-	0.032	-
Turnover T_o	deg.C	-	25	-
Package size		SMD 3x3x1.1 mm		

Temperature dependence of fc: $f_c(T_A)=f_c(T_O)(1+TC_f(T_A-T_O)^2)$

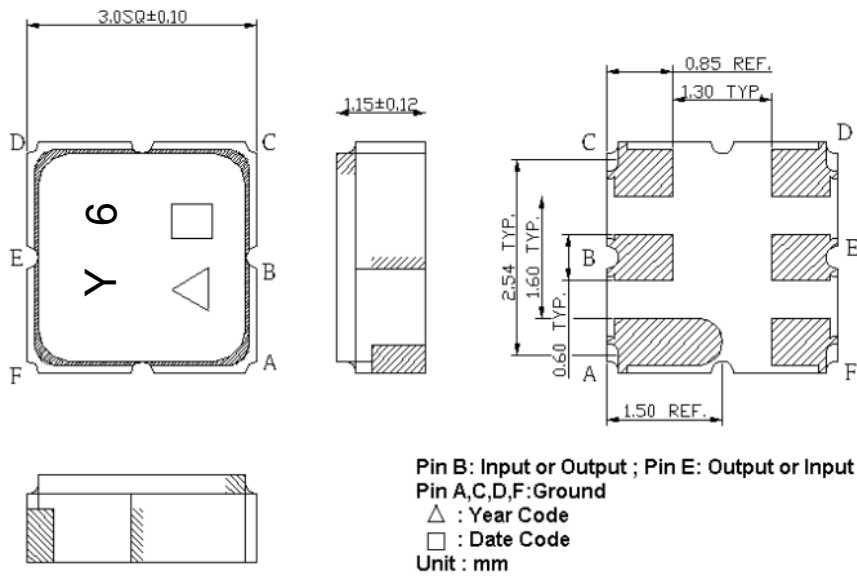
D. EQUIVALENT CIRCUIT:

One-Port Resonator:



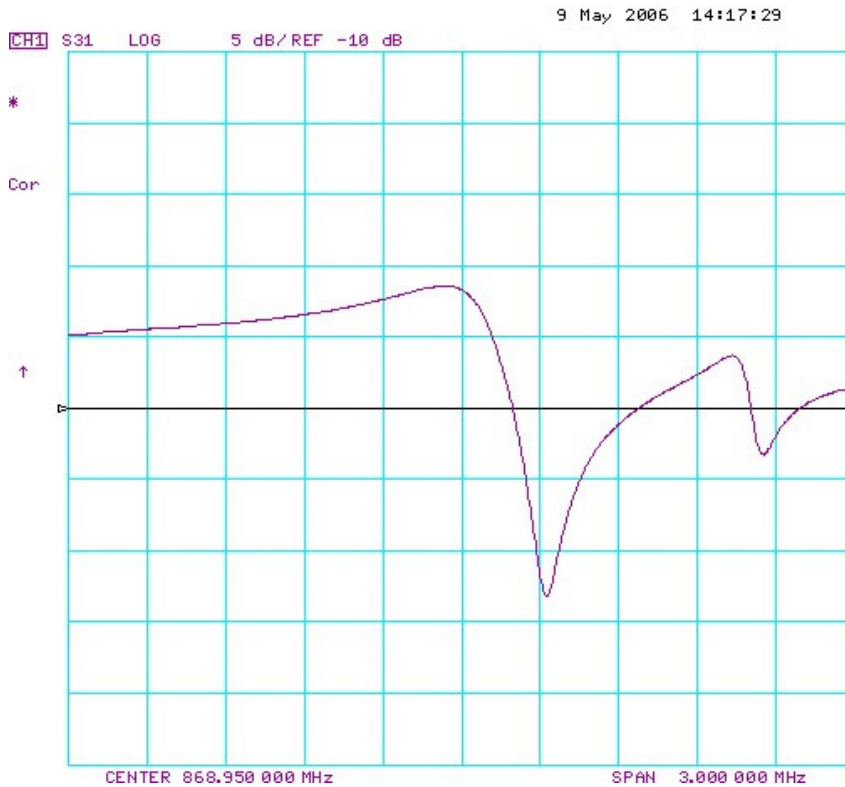
RoHS Compliant
Lead free
Lead-free soldering

E. OUTLINE DRAWING:

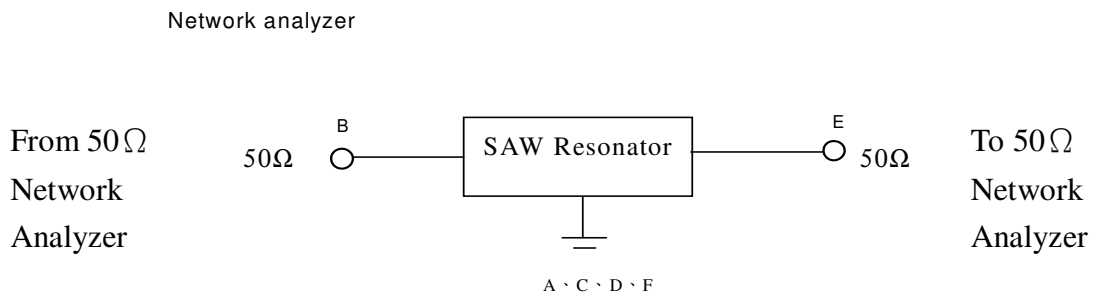


Date code: Provided by planer each year
 Year code: 6 for 2006,7 for 2007,...

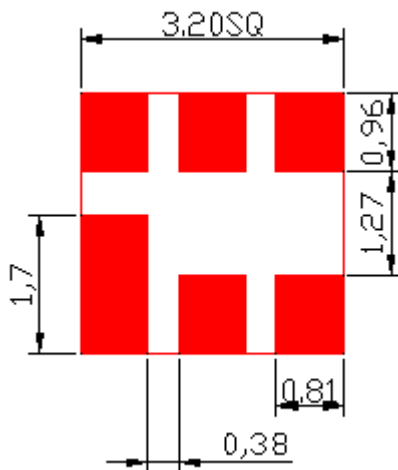
F. FREQUENCY CHARACTERISTICS:



G. TEST CIRCUIT:

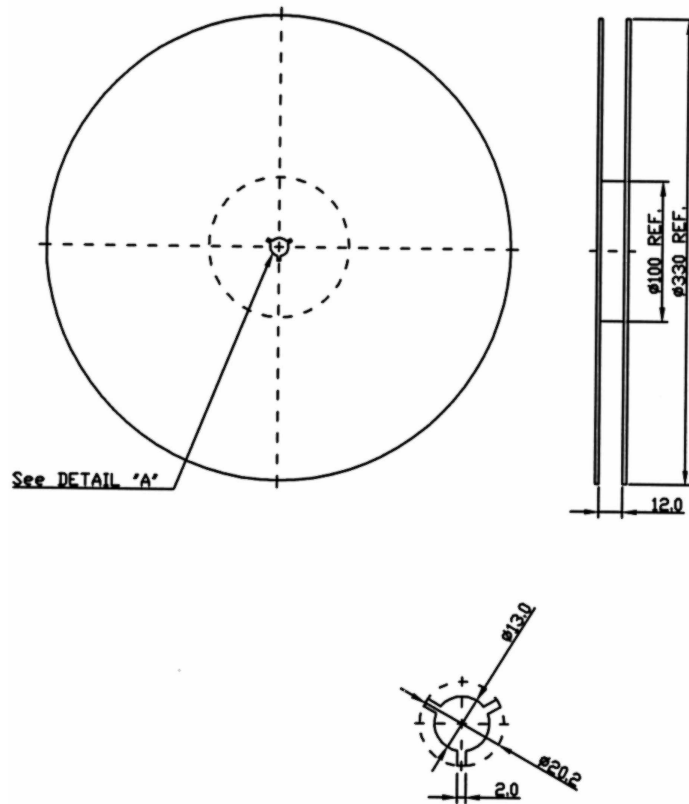


H. LAND PATTERN:

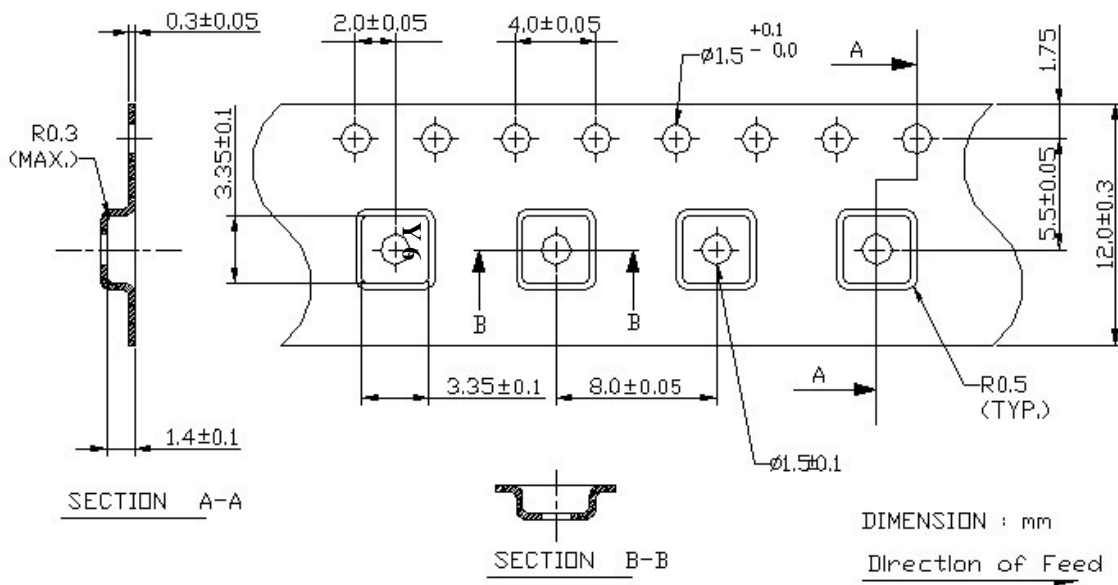


I. PACKING:

1. REEL DIMENSION



2. TAPE DIMENSION



H. RECOMMENDED REFLOW PROFILE:

